



**HIGH EFFICIENCY 14 SEER AIR CONDITIONER**  
**ENVIRONMENTALLY SOUND R-410A REFRIGERANT**  
**1½ THRU 5 TONS SPLIT SYSTEM**  
**208 / 230 Volt, 1-phase, 60 Hz**  
**REFRIGERATION CIRCUIT**

- Copeland Scroll™ compressors on all models
- Filter-Drier supplied with every unit for field installation
- External high and low refrigerant service ports
- Copper tube / aluminum fin coil

**PERFORMANCE**

- 2-speed Fan Motors factory wired on all models
- Compressor Sound Jacket standard

**EASY TO INSTALL AND SERVICE**

- Comfort Alert™ Diagnostics device on all models
- Easy Access service valves on all models
- Innovative control box design
- High and Low pressure switches
- Fan motor in-line disconnect plug
- Only two screws to access control panel
- Factory charged with R-410A refrigerant

**BUILT TO LAST**

- High gloss, baked-on powder coat finish over galvanized steel
- Post-painted (black) coil fins
- Coated, weather-resistant cabinet screws
- Coated inlet grille with 3/8" (10mm) spacing for extra protection
- Corner Posts for extra strength and style

**WARRANTY\***

- 5 year No Hassle Replacement™ limited warranty
- 5 year compressor limited warranty
- 5 year parts limited warranty (including compressor and coil)
  - With timely registration, an additional 5 year parts limited warranty (including compressor and coil)

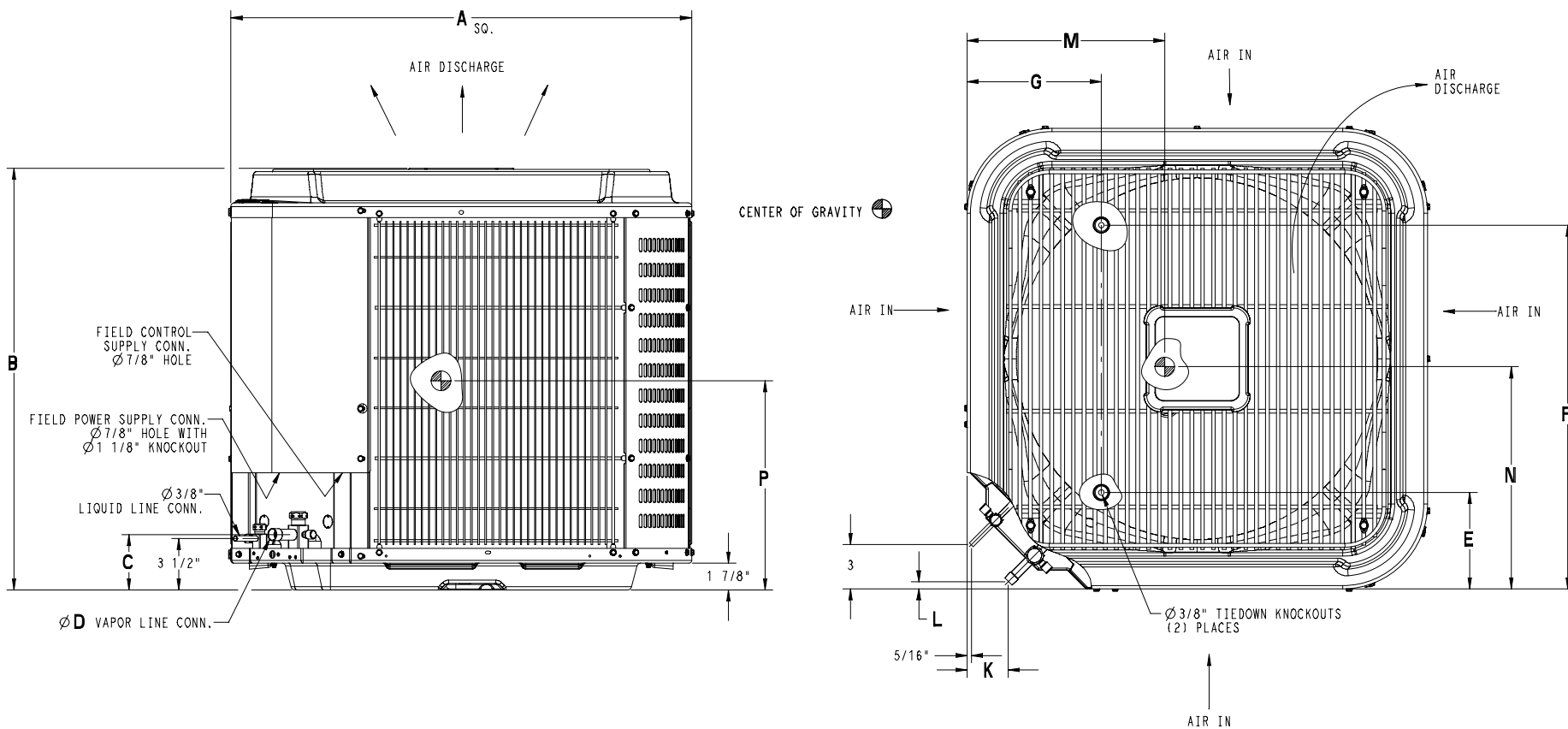
\* Applies to original purchaser/homeowner, some limitations may apply. See Warranty certificate for complete details.



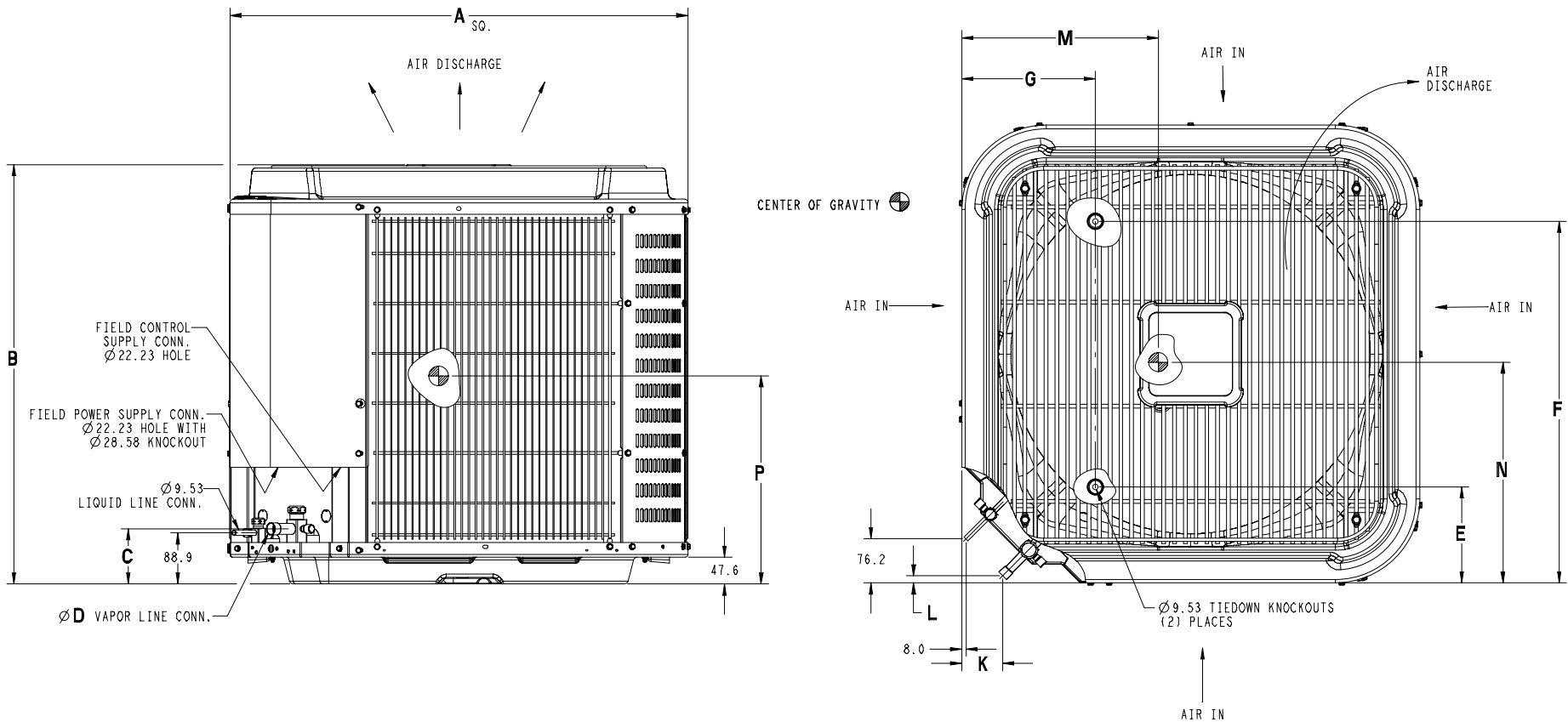
This product has been designed and manufactured to meet ENERGY STAR criteria for energy efficiency when matched with appropriate coil components. However, proper refrigerant charge and proper air flow are critical to achieve rated capacity and efficiency. Installation of this product should follow the manufacturer's refrigerant charging and air flow instructions. Failure to confirm proper charge and airflow may reduce energy efficiency and shorten equipment life.

Rated in accordance with ARI Standard 210/240. Certification applies only when used with proper components as listed with ARI.

Model Number	Size (tons)	Nominal Btu/hr	Min. Circuit Ampacity	Max. Fuse or Breaker	Operating Dimensions height x width x depth in. (mm)	Ship / Operating Weight lbs. (kg)
H4A418GKD	1½	18,000	11.8	20	35¾ x 31¼ x 31¼ (899 x 793 x 793)	208 / 171 (94 / 78)
H4A424GKD	2	24,000	17.4	30	29⅞ x 35 x 35 (760 x 889 x 889)	221 / 181 (100 / 82)
H4A430GKD	2½	30,000	18.1	30	29⅞ x 35 x 35 (760 x 889 x 889)	221 / 181 (100 / 82)
H4A436GKD	3	36,000	22.0	35	36⅛ x 35 x 35 (933 x 889 x 889)	246 / 203 (112 / 92)
H4A442GKD	3½	42,000	23.5	40	40⅞ x 35 x 35 (1019 x 889 x 889)	274 / 230 (124 / 104)
H4A448GKD	4	48,000	28.5	40	40⅞ x 35 x 35 (1019 x 889 x 889)	278 / 234 (126 / 106)
H4A449GKD	4	48,000	26.1	40	40⅞ x 35 x 35 (1019 x 889 x 889)	317 / 264 (144 / 120)
H4A460GKD	5	60,000	34.2	50	40⅞ x 35 x 35 (1019 x 889 x 889)	316 / 272 (143 / 123)



Model	Dimensions Inches (English)												Minimum Mounting Pad Size	Crated Dimensions B(h) x A(w) x R(d)
	A	B	C	D	E	F	G	K	L	M	N	P		
H4A418GKD	31 <sup>3</sup> / <sub>16</sub>	35 <sup>3</sup> / <sub>8</sub>	3 <sup>3</sup> / <sub>4</sub>	5 <sup>5</sup> / <sub>8</sub>	6 <sup>9</sup> / <sub>16</sub>	24 <sup>1</sup> / <sub>16</sub>	9 <sup>1</sup> / <sub>8</sub>	2 <sup>13</sup> / <sub>16</sub>	1/2	15	15	15	31 <sup>1</sup> / <sub>2</sub> x 31 <sup>1</sup> / <sub>2</sub>	42 <sup>3</sup> / <sub>4</sub> x 35 <sup>1</sup> / <sub>2</sub> x 32 <sup>5</sup> / <sub>16</sub>
H4A424GKD	35	29 <sup>7</sup> / <sub>8</sub>	3 <sup>3</sup> / <sub>4</sub>	5 <sup>5</sup> / <sub>8</sub>	6 <sup>9</sup> / <sub>16</sub>	28 <sup>7</sup> / <sub>16</sub>	9 <sup>1</sup> / <sub>8</sub>	2 <sup>13</sup> / <sub>16</sub>	1/2	16	16 <sup>1</sup> / <sub>2</sub>	14	35 x 35	35 <sup>15</sup> / <sub>16</sub> x 39 <sup>1</sup> / <sub>4</sub> x 36 <sup>1</sup> / <sub>8</sub>
H4A430GKD	35	29 <sup>7</sup> / <sub>8</sub>	3 <sup>3</sup> / <sub>4</sub>	3 <sup>3</sup> / <sub>4</sub>	6 <sup>9</sup> / <sub>16</sub>	28 <sup>7</sup> / <sub>16</sub>	9 <sup>1</sup> / <sub>8</sub>	2 <sup>13</sup> / <sub>16</sub>	1/2	16	16	15	35 x 35	35 <sup>15</sup> / <sub>16</sub> x 39 <sup>1</sup> / <sub>4</sub> x 36 <sup>1</sup> / <sub>8</sub>
H4A436GKD	35	36 <sup>1</sup> / <sub>16</sub>	3 <sup>3</sup> / <sub>4</sub>	3 <sup>3</sup> / <sub>4</sub>	6 <sup>9</sup> / <sub>16</sub>	28 <sup>7</sup> / <sub>16</sub>	9 <sup>1</sup> / <sub>8</sub>	2 <sup>13</sup> / <sub>16</sub>	1/2	16	15 <sup>1</sup> / <sub>2</sub>	17	35 x 35	42 <sup>3</sup> / <sub>4</sub> x 39 <sup>1</sup> / <sub>4</sub> x 36 <sup>1</sup> / <sub>8</sub>
H4A442GKD	35	40 <sup>1</sup> / <sub>8</sub>	3 <sup>7</sup> / <sub>8</sub>	7 <sup>7</sup> / <sub>8</sub>	6 <sup>9</sup> / <sub>16</sub>	28 <sup>7</sup> / <sub>16</sub>	9 <sup>1</sup> / <sub>8</sub>	2 <sup>15</sup> / <sub>16</sub>	5 <sup>5</sup> / <sub>8</sub>	17	15 <sup>3</sup> / <sub>4</sub>	17 <sup>3</sup> / <sub>4</sub>	35 x 35	46 <sup>1</sup> / <sub>8</sub> x 39 <sup>1</sup> / <sub>4</sub> x 36 <sup>1</sup> / <sub>8</sub>
H4A448GKD	35	40 <sup>1</sup> / <sub>8</sub>	3 <sup>7</sup> / <sub>8</sub>	7 <sup>7</sup> / <sub>8</sub>	6 <sup>9</sup> / <sub>16</sub>	28 <sup>7</sup> / <sub>16</sub>	9 <sup>1</sup> / <sub>8</sub>	2 <sup>15</sup> / <sub>16</sub>	5 <sup>5</sup> / <sub>8</sub>	17	16	19	35 x 35	46 <sup>1</sup> / <sub>8</sub> x 39 <sup>1</sup> / <sub>4</sub> x 36 <sup>1</sup> / <sub>8</sub>
H4A449GKD	35	40 <sup>1</sup> / <sub>8</sub>	3 <sup>7</sup> / <sub>8</sub>	7 <sup>7</sup> / <sub>8</sub>	6 <sup>9</sup> / <sub>16</sub>	28 <sup>7</sup> / <sub>16</sub>	9 <sup>1</sup> / <sub>8</sub>	2 <sup>15</sup> / <sub>16</sub>	5 <sup>5</sup> / <sub>8</sub>	17	16	19	35 x 35	46 <sup>1</sup> / <sub>8</sub> x 39 <sup>1</sup> / <sub>4</sub> x 36 <sup>1</sup> / <sub>8</sub>
H4A460GKD	35	40 <sup>1</sup> / <sub>8</sub>	3 <sup>7</sup> / <sub>8</sub>	7 <sup>7</sup> / <sub>8</sub>	6 <sup>9</sup> / <sub>16</sub>	28 <sup>7</sup> / <sub>16</sub>	9 <sup>1</sup> / <sub>8</sub>	2 <sup>15</sup> / <sub>16</sub>	5 <sup>5</sup> / <sub>8</sub>	16	16	20	35 x 35	46 <sup>1</sup> / <sub>8</sub> x 39 <sup>1</sup> / <sub>4</sub> x 36 <sup>1</sup> / <sub>8</sub>



Dimensions mm (SI Metric)

Model	Dimensions mm (SI Metric)												Minimum Mounting Pad Size	Crated Dimensions B(h) x A(w) x R(d)
	A	B	C	D	E	F	G	K	L	M	N	P		
H4A418GKD	793	899	95	16	167	626	232	71	13	381	381	381	800 x 800	1086 x 901 x 821
H4A424GKD	889	760	95	16	167	722	232	71	13	406	419	356	889 x 889	913 x 998 x 918
H4A430GKD	889	760	95	19	167	722	232	71	13	406	406	381	889 x 889	913 x 998 x 918
H4A436GKD	889	932	95	19	167	722	232	71	13	406	394	432	889 x 889	1086 x 998 x 918
H4A442GKD	889	1019	98	22	167	722	232	75	16	432	400	451	889 x 889	1172 x 998 x 918
H4A448GKD	889	1019	98	22	167	722	232	75	16	414	406	483	889 x 889	1172 x 998 x 918
H4A449GKD	889	1019	98	22	167	722	232	75	16	414	406	483	889 x 889	1172 x 998 x 918
H4A460GKD	889	1019	98	22	167	722	232	75	16	406	406	508	889 x 889	1172 x 998 x 918

PHYSICAL DATA								
Model Size	18	24	30	36	42	48	49	60
Nominal Cooling Capacity (BTU/hr)	18,000	24,000	30,000	36,000	42,000	48,000	48,000	60,000
Nominal SEER	14.0	14.0	14.0	14.0	14.0	14.0	14.0	14.0
Sound Rating**								
High Speed Fan (dBA)	71	69	71	71	69	72	72	75
Low Speed Fan (dBA)	71	69	70	70	68	71	71	74
PSC Fan Motor HP	1/12	1/12	1/12	1/5	1/5	1/4	1/4	1/4
Fan RPM High	842	785	798	840	839	817	817	830
Fan RPM Low	823	622	683	793	794	740	740	781
Fan CFM (High)	2183	2756	2756	3831	3831	4121	4046	4121
Coil Face Area ft <sup>2</sup> (m <sup>2</sup> )	19.40 (1.8)	17.60 (1.6)	17.60 (1.6)	22.63 (2.1)	25.15 (2.3)	25.15 (2.3)	25.15 (2.3)	25.15 (2.3)
Coil Rows-fins per inch	1-25	1-25	1-25	1-25	1-25	1-25	2-20	2-20
Low Pressure Switch								
Open Pressure (psig)	50 ± 7	50 ± 7	50 ± 7	50 ± 7	50 ± 7	50 ± 7	50 ± 7	50 ± 7
Close Pressure (psig)	95 ± 7	95 ± 7	95 ± 7	95 ± 7	95 ± 7	95 ± 7	95 ± 7	95 ± 7
High Pressure Switch								
Open Pressure (psig)	610 ± 10	610 ± 10	610 ± 10	610 ± 10	610 ± 10	610 ± 10	610 ± 10	610 ± 10
Close Pressure (psig)	420 ± 25	420 ± 25	420 ± 25	420 ± 25	420 ± 25	420 ± 25	420 ± 25	420 ± 25
Liquid Line Connection Size in. (mm)	3/8 (10)	3/8 (10)	3/8 (10)	3/8 (10)	3/8 (10)	3/8 (10)	3/8 (10)	3/8 (10)
Vapor Line Connection Size in. (mm)	5/8 (16)	5/8 (16)	3/4 (19)	3/4 (19)	7/8 (22)	7/8 (22)	7/8 (22)	7/8 (22)
Recommended Line Set Liquid Tube Diameter in. (mm)	3/8 (10)	3/8 (10)	3/8 (10)	3/8 (10)	3/8 (10)	3/8 (10)	3/8 (10)	3/8 (10)
Recommended Line Set Vapor Tube Diameter in. (mm)*	5/8 (16)*	5/8 (16)*	3/4 (19)*	7/8 (22)*	7/8 (22)*	7/8 (22)*	7/8 (22)*	1 1/8 (29)*
* Recommended Vapor Tube Line size is for standard installations. These recommendations may not apply to "Long Line" installations. When the total equivalent line length exceeds 80 feet (24.4m) or there is more than 20 feet (6.1m) vertical separation between indoor and outdoor units, consult the Long Line Application Guideline document before purchasing/installing line sets.								
Factory Charge R-410A lbs. (kg)	5.40 (2.45)	5.48 (2.49)	5.80 (2.63)	6.97 (3.16)	8.70 (3.95)	9.00 (4.08)	13.00 (5.90)	11.37 (5.16)
Required Subcooling ° F (° C)	10 (6)	10 (6)	11 (6)	10 (6)	8 (4)	8 (4)	8 (4)	9 (5)
Weight, shipping lbs. (kg)	208 (94)	221 (100)	221 (100)	246 (112)	274 (124)	278 (126)	317 (144)	316 (143)
Weight, operating lbs. (kg)	171 (78)	181 (82)	181 (82)	203 (92)	230 (104)	234 (106)	264 (120)	272 (123)

ELECTRICAL DATA (208/230-1-60, voltage range 197V - 253V)								
Model Size	18	24	30	36	42	48	49	60
Minimum Circuit Ampacity -MCA (amps)	11.8	17.4	18.1	22.0	23.5	28.5	26.1	34.2
Maximum OverCurrent Protective device - MOCP (amps)	20	30	30	35	40	40	40	50
Compressor RLA (Rated Load Amps)	9.0	13.5	14.1	16.7	17.9	21.8	19.9	26.4
LRA (Locked Rotor Amps)	48	58.3	73	79	112	117	109	134
Fan Motor FLA (Full Load Amps)	0.5	0.5	0.5	1.1	1.1	1.2	1.2	1.2

\*\*Sound Rating tested in accordance with ARI Standard 270-95 (not listed with ARI).

**R-410A COOLING CAPACITY LOSS FOR VARIOUS LINE LENGTHS & TUBE DIAMETERS**

Model Size	Liquid Line in.(mm)	Acceptable Vapor Line Sizes in. (mm)	Cooling Capacity Loss (%) at Total Equivalent Line Length, feet (m) Refer to Long Line Application Guideline to calculate equivalent length										
			Standard Application			Long Line Application (Requires Accessories)							
			25' (7.6)	50' (15.2)	80' (24.4)	81' (24.7)	100' (30.5)	125' (38.1)	150' (45.7)	175' (53.3)	200' (61)	225' (68.6)	250' (76.2)
18	3/8 (10)	1/2 (13)	1	2	3	3	4	6	7	8	9	10	12
		5/8 (16)	0	0	1	1	1	1	2	2	3	3	3
24		5/8 (16)	0	1	1	1	2	3	3	4	4	5	6
		3/4 (19)	0	0	0	0	0	1	1	1	1	1	2
30		7/8 (22)	0	0	0	0	0	0	0	0	0	0	1
		5/8 (16)	1	2	3	3	3	4	5	6	7	8	9
		3/4 (19)	0	0	1	1	1	1	2	2	2	3	3
36		7/8 (22)	0	0	0	0	0	1	1	1	1	1	1
		5/8 (16)	1	2	4	4	5	6	7	9	10	11	13
		3/4 (19)	0	0	1	1	1	2	2	3	3	4	4
42		7/8 (22)	0	0	0	0	0	1	1	1	1	1	2
		3/4 (19)	0	1	2	2	2	3	4	4	5	6	6
		1 1/8 (29)	0	0	0	0	0	0	0	0	0	0	1
48/49		7/8 (22)	0	0	1	1	1	2	2	2	3	3	4
	3/4 (19)	0	1	2	2	3	4	5	5	6	7	8	
	1 1/8 (29)	0	0	0	0	0	0	0	0	1	1	1	
60	7/8 (22)	0	1	2	2	2	3	4	4	5	5	6	
	3/4 (19)	1	2	4	4	5	6	7	9	10	11	12	
	1 1/8 (29)	0	0	0	0	1	1	1	1	1	1	2	

\* Applications are considered “Long Line” if the total equivalent tubing length exceeds 80 feet (24.4m) or there is more than 20 foot (6.1m) vertical separation between indoor and outdoor units. These applications require additional accessories and system modifications for reliable system operation.

Applications in shaded area may have height restrictions that limit allowable total equivalent length when outdoor unit is below indoor unit.

**ACCESSORY USAGE GUIDELINES**

Accessory	REQUIRED FOR LOW-AMBIENT APPLICATIONS {Below 55°F (13°C)}	REQUIRED FOR LONG LINE APPLICATIONS* {Over 80 Ft.(24.4m)}
Crankcase Heater	<b>Yes</b>	<b>Yes</b>
Evaporator Freeze Thermostat	<b>Yes</b>	No
Winter Start Control	<b>Yes</b>	No
Hard Start Kit (Capacitor & Relay)	<b>Yes</b>	<b>Yes</b>
Low Ambient Kit (Pressure Switch)	<b>Yes</b>	No
Support Feet, 4" (102mm) tall	Recommended	No
Liquid Line Solenoid Valve	No	See Long-Line Application Guideline

\* For Line Set lengths between 80 and 200 ft (24.4 and 61m) horizontal, or more than 20 ft (6.1m) indoor-outdoor vertical separation, refer to the Long Line Application Guideline document.

ACCESSORIES		
Part Number	Description	Used On Model Size
NASA003CH	Crankcase Heater for Scroll Compressor (208/230 V)	18, 24 30, 36
NASA00501CH	Crankcase Heater for Scroll Compressor (208/230 V)	42, 48 (49, 60 Factory Installed)
NASA001SC	Start Component – PTC Device	ALL
NASA001FS	Evaporator Freeze Thermostat	ALL
NASA401LS	Liquid Line Solenoid Valve, R-410A	ALL
NASA001TD	Time Delay Relay, Indoor Blower	ALL
NASA001WS	Winter Start Control	ALL
NASA001AC	Anti-Cycle Timer (5 minute delay)	ALL
NASA005SC	Hard Start Kit (Capacitor & Relay)	ALL
NASA401LA	Low Ambient Kit (Pressure Switch), R-410A	ALL
NASA001SF	Support Feet, 4" (102mm) tall	ALL
EBAC05TXVX	TXV Kit, R-410A *	18, 24, 30
EBAC06TXVX	TXV Kit, R-410A *	36, 42
EBAC07TXVX	TXV Kit, R-410A *	48, 49, 60

\* ONLY converts Fan Coils equipped with factory installed R-22 TXV.

COOLING PERFORMANCE FOR COMBINATION RATINGS								
Indoor Models								
For complete ratings information, use the AHRI website directory search: <a href="http://www.AHRIdirectory.org">www.AHRIdirectory.org</a> . New ratings may be listed online before Specification Sheets are updated.								
Outdoor Model	Current Indoor Model († tested combo)	Furnace Model	Factory Installed	Cooling 95° F (35° C)			SEER	
				BTU/hr	S/T	EER	factory	w/ field TDR
H4A418GKD	‡ED*4X24B**	†	TXV	18,000	0.76	11.50		14.00
	ED*4X18B**	MV08B15**B*	TDR&TXV	17,800	0.76	13.00	15.50	
	ED*4X18B**	†	TXV	17,800	0.76	11.50		13.50
	ED*4X24B**	*8MPV050	TDR&TXV	18,000	0.76	13.00	15.50	
	ED*4X24B**	MV08B15**B*	TDR&TXV	18,000	0.76	13.00	15.50	
	ED*4X24F**	*9MVX040	TDR&TXV	18,600	0.76	12.50	15.00	
	ED*4X24F**	*9MVX060	TDR&TXV	18,600	0.76	12.50	15.00	
	ED*4X24F**	†	TXV	18,000	0.76	11.50		14.00
	ED*4X30F**	*9MVX040	TDR&TXV	18,900	0.76	13.00	15.50	
	EHD4X24A**	*9MVX040	TDR&TXV	18,000	0.76	12.50	15.00	
	EHD4X24A**	*9MVX060	TDR&TXV	18,000	0.76	12.50	15.00	
	EHD4X24A**	MV08B15**B*	TDR&TXV	18,000	0.76	13.00	15.50	
	EHD4X24A**	†	TXV	18,000	0.76	11.50		14.00
	EMA4X24D**	†	TXV	18,000	0.76	11.50		14.00
	FEM4X18****	†	TDR&TXV	18,000	0.76	12.50	15.00	
	FEM4X24****	†	TDR&TXV	18,000	0.76	13.00	15.50	
	FS(M,U)4X18****	†	TDR&TXV	17,800	0.76	11.70	13.50	
	FS(M,U)4X24****	†	TDR&TXV	17,900	0.76	11.50	13.50	
	FSA4X18**A*	†	TDR&TXV	17,800	0.76	11.70	13.50	
	FSA4X24**A*	†	TDR&TXV	18,000	0.76	11.70	14.00	
FVM4X24****	†	TDR&TXV	18,000	0.76	13.00	16.00		
H4A424GKD	‡ED*4X24B**	†	TXV	23,200	0.73	11.70		14.00
	ED*4X24B**	*8MPV050	TDR&TXV	23,400	0.73	12.50	15.00	
	ED*4X24B**	MV08B15**B*	TDR&TXV	23,200	0.73	13.20	16.00	
	ED*4X24F**	*8MPV075	TDR&TXV	23,600	0.73	13.00	15.50	
	ED*4X24F**	*9MPV050	TDR&TXV	23,200	0.73	12.50	15.00	
	ED*4X24F**	*9MPV075	TDR&TXV	23,400	0.73	12.50	15.00	
	ED*4X24F**	*9MVX040	TDR&TXV	23,000	0.73	12.50	15.00	
	ED*4X24F**	*9MVX060	TDR&TXV	23,000	0.73	12.50	15.00	
	ED*4X24F**	MV12F19**B*	TDR&TXV	23,200	0.73	13.20	16.00	
	ED*4X24F**	†	TXV	23,200	0.73	11.70		14.00
	ED*4X30B**	*8MPV050	TDR&TXV	23,800	0.73	12.50	15.00	
	ED*4X30B**	MV08B15**B*	TDR&TXV	23,400	0.73	13.20	16.00	
	ED*4X30B**	†	TXV	23,400	0.73	12.00		14.00
	ED*4X30F**	*8MPV075	TDR&TXV	24,000	0.73	13.00	15.50	
	ED*4X30F**	*9MPV050	TDR&TXV	23,600	0.73	13.00	15.50	
	ED*4X30F**	*9MPV075	TDR&TXV	23,600	0.73	13.00	15.50	
	ED*4X30F**	*9MVX040	TDR&TXV	23,400	0.73	13.00	15.50	
	ED*4X30F**	*9MVX060	TDR&TXV	23,400	0.73	13.00	15.50	
	ED*4X30F**	MV12F19**B*	TDR&TXV	23,400	0.73	13.20	16.00	
	ED*4X30F**	†	TXV	23,400	0.73	12.00		14.00
	EHD4X24A**	*8MPV050	TDR&TXV	23,400	0.73	12.50	15.00	
	EHD4X24A**	*8MPV075	TDR&TXV	23,600	0.73	13.00	15.50	
	EHD4X24A**	*8MPV100	TDR&TXV	23,800	0.73	13.00	15.50	
	EHD4X24A**	*8MPV125	TDR&TXV	23,800	0.73	13.00	15.50	
	EHD4X24A**	*9MPV050	TDR&TXV	23,200	0.73	12.50	15.00	

2009 ENERGY STAR compliance for combinations with both: SEER 14.50 or higher and EER 12.00 or higher.

† For coils not listed with a matching furnace or blower, coil rating applies with any indoor blower device

- continued on next page -

**COOLING PERFORMANCE FOR COMBINATION RATINGS (continued)**

**Indoor Models**

For complete ratings information, use the AHRI website directory search: [www.AHRIdirectory.org](http://www.AHRIdirectory.org).  
New ratings may be listed online before Specification Sheets are updated.

Outdoor Model	Current Indoor Model († tested combo)	Furnace Model	Factory Installed	Cooling 95° F (35° C)			SEER	
				BTU/hr	S/T	EER	factory	w/ field TDR
H4A424GKD (continued)	EHD4X24A**	*9MPV075	TDR&TXV	23,200	0.73	12.50	15.00	
	EHD4X24A**	*9MPV100	TDR&TXV	23,600	0.73	12.50	15.50	
	EHD4X24A**	*9MPV125	TDR&TXV	23,600	0.73	13.00	15.50	
	EHD4X24A**	*9MVX040	TDR&TXV	23,000	0.73	12.50	15.00	
	EHD4X24A**	*9MVX060	TDR&TXV	23,000	0.73	12.50	15.00	
	EHD4X24A**	*9MVX080	TDR&TXV	23,600	0.73	13.00	15.50	
	EHD4X24A**	*9MVX100	TDR&TXV	23,600	0.73	13.00	15.50	
	EHD4X24A**	MV08B15**B*	TDR&TXV	23,400	0.73	13.20	16.00	
	EHD4X24A**	MV12F19**B*	TDR&TXV	23,200	0.73	13.20	16.00	
	EHD4X24A**	†	TXV	23,200	0.73	11.70		14.00
	EHD4X30A**	*8MPV050	TDR&TXV	23,800	0.73	12.50	15.00	
	EHD4X30A**	*8MPV075	TDR&TXV	24,000	0.73	13.00	15.50	
	EHD4X30A**	*8MPV100	TDR&TXV	24,200	0.73	13.20	16.00	
	EHD4X30A**	*8MPV125	TDR&TXV	24,200	0.73	13.20	16.00	
	EHD4X30A**	*9MPV050	TDR&TXV	23,600	0.73	13.00	15.50	
	EHD4X30A**	*9MPV075	TDR&TXV	23,600	0.73	13.00	15.50	
	EHD4X30A**	*9MPV100	TDR&TXV	24,000	0.73	13.00	15.50	
	EHD4X30A**	*9MPV125	TDR&TXV	24,000	0.73	13.00	15.50	
	EHD4X30A**	*9MVX040	TDR&TXV	23,400	0.73	13.00	15.50	
	EHD4X30A**	*9MVX060	TDR&TXV	23,400	0.73	13.00	15.50	
	EHD4X30A**	*9MVX080	TDR&TXV	23,600	0.73	13.00	15.50	
	EHD4X30A**	*9MVX100	TDR&TXV	23,600	0.73	13.00	15.50	
	EHD4X30A**	MV08B15**B*	TDR&TXV	23,400	0.73	13.20	16.00	
	EHD4X30A**	MV12F19**B*	TDR&TXV	23,400	0.73	13.20	16.00	
	EHD4X30A**	†	TXV	23,400	0.73	12.00		14.00
	EMA4X24D**	†	TXV	23,200	0.73	11.70		14.00
	FEM4X24****	†	TDR&TXV	23,400	0.73	12.50	15.00	
	FEM4X30****	†	TDR&TXV	23,600	0.73	13.00	15.50	
	FS(M,U)4X24****	†	TDR&TXV	23,000	0.73	11.70	13.50	
	FS(M,U)4X30****	†	TDR&TXV	23,200	0.73	12.00	14.00	
	FSA4X24**A*	†	TDR&TXV	23,000	0.73	11.70	13.50	
	FSA4X30**A*	†	TDR&TXV	23,000	0.73	11.70	13.50	
FVM4X24****	†	TDR&TXV	23,400	0.73	13.20	16.00		
FVM4X36****	†	TDR&TXV	23,600	0.73	13.20	16.00		
H4A430GKD	‡ED*4X30B**	†	TXV	29,000	0.73	11.70		14.00
	ED*4X30B**	*8MPV050	TDR&TXV	29,000	0.73	12.00	14.00	
	ED*4X30B**	MV08B15**B*	TDR&TXV	29,000	0.73	12.50	15.50	
	ED*4X30F**	*8MPV075	TDR&TXV	29,200	0.73	12.50	15.00	
	ED*4X30F**	*9MPV050	TDR&TXV	28,800	0.73	12.20	14.50	
	ED*4X30F**	*9MPV075	TDR&TXV	29,000	0.73	12.20	14.50	
	ED*4X30F**	*9MVX040	TDR&TXV	28,800	0.73	12.20	14.50	
	ED*4X30F**	*9MVX060	TDR&TXV	28,400	0.73	12.50	15.00	
	ED*4X30F**	MV12F19**B*	TDR&TXV	29,200	0.73	13.00	15.50	
	ED*4X30F**	†	TXV	29,000	0.73	11.70		14.00
	ED*4X36B**	*8MPV050	TDR&TXV	28,200	0.73	12.00	14.00	
	ED*4X36B**	MV08B15**B*	TDR&TXV	28,400	0.73	13.00	15.50	
	ED*4X36B**	†	TXV	28,400	0.73	11.70		14.00
ED*4X36F**	*8MPV075	TDR&TXV	29,400	0.73	12.50	15.00		

2009 ENERGY STAR compliance for combinations with both: SEER 14.50 or higher and EER 12.00 or higher.

† For coils not listed with a matching furnace or blower, coil rating applies with any indoor blower device

- continued on next page -



**COOLING PERFORMANCE FOR COMBINATION RATINGS (continued)**  
**Indoor Models**

For complete ratings information, use the AHRI website directory search: [www.AHRIdirectory.org](http://www.AHRIdirectory.org).  
 New ratings may be listed online before Specification Sheets are updated.

Outdoor Model	Current Indoor Model († tested combo)	Furnace Model	Factory Installed	Cooling 95° F (35° C)			SEER	
				BTU/hr	S/T	EER	factory	w/ field TDR
H4A430GKD (continued)	ED*4X36F**	*9MPV050	TDR&TXV	29,000	0.73	12.20	14.50	
	ED*4X36F**	*9MPV075	TDR&TXV	29,000	0.73	12.50	15.00	
	ED*4X36F**	*9MVX040	TDR&TXV	28,200	0.73	12.50	15.00	
	ED*4X36F**	*9MVX060	TDR&TXV	28,600	0.73	12.50	15.00	
	ED*4X36F**	MV12F19**B*	TDR&TXV	29,200	0.73	13.00	15.50	
	ED*4X36F**	†	TXV	29,200	0.73	11.70		14.00
	ED*4X36J**	*8MPV100	TDR&TXV	29,600	0.73	13.00	15.50	
	ED*4X36J**	*8MPV125	TDR&TXV	29,600	0.73	13.00	15.50	
	ED*4X36J**	*9MPV100	TDR&TXV	29,600	0.73	12.50	15.50	
	ED*4X36J**	*9MVX080	TDR&TXV	29,600	0.73	13.00	15.50	
	ED*4X36J**	†	TXV	29,200	0.73	11.70		14.00
	EHD4X30A**	*8MPV050	TDR&TXV	29,000	0.73	12.00	14.00	
	EHD4X30A**	*8MPV075	TDR&TXV	29,200	0.73	12.50	15.00	
	EHD4X30A**	*8MPV100	TDR&TXV	29,200	0.73	12.50	15.50	
	EHD4X30A**	*8MPV125	TDR&TXV	29,200	0.73	12.50	15.50	
	EHD4X30A**	*9MPV050	TDR&TXV	28,800	0.73	12.20	14.50	
	EHD4X30A**	*9MPV075	TDR&TXV	29,000	0.73	12.20	14.50	
	EHD4X30A**	*9MPV100	TDR&TXV	29,200	0.73	12.50	15.00	
	EHD4X30A**	*9MPV125	TDR&TXV	29,200	0.73	12.50	15.00	
	EHD4X30A**	*9MVX040	TDR&TXV	28,800	0.73	12.20	14.50	
	EHD4X30A**	*9MVX060	TDR&TXV	28,400	0.73	12.50	15.00	
	EHD4X30A**	*9MVX080	TDR&TXV	28,800	0.73	12.50	15.00	
	EHD4X30A**	*9MVX100	TDR&TXV	28,600	0.73	12.50	15.00	
	EHD4X30A**	MV08B15**B*	TDR&TXV	29,000	0.73	13.00	15.50	
	EHD4X30A**	MV12F19**B*	TDR&TXV	29,200	0.73	13.00	15.50	
	EHD4X30A**	†	TXV	29,000	0.73	11.70		14.00
	EHD4X36A**	*8MPV050	TDR&TXV	29,000	0.73	12.00	14.00	
	EHD4X36A**	*8MPV075	TDR&TXV	29,400	0.73	12.50	15.00	
	EHD4X36A**	*8MPV100	TDR&TXV	29,600	0.73	13.00	15.50	
	EHD4X36A**	*8MPV125	TDR&TXV	29,600	0.73	13.00	15.50	
	EHD4X36A**	*9MPV050	TDR&TXV	29,000	0.73	12.20	14.50	
	EHD4X36A**	*9MPV075	TDR&TXV	29,000	0.73	12.50	15.00	
	EHD4X36A**	*9MPV100	TDR&TXV	29,600	0.73	12.50	15.50	
	EHD4X36A**	*9MPV125	TDR&TXV	29,800	0.73	13.00	15.50	
	EHD4X36A**	*9MVX040	TDR&TXV	28,200	0.73	12.50	15.00	
	EHD4X36A**	*9MVX060	TDR&TXV	28,600	0.73	12.50	15.00	
	EHD4X36A**	*9MVX080	TDR&TXV	29,600	0.73	13.00	15.50	
	EHD4X36A**	*9MVX100	TDR&TXV	29,400	0.73	13.00	15.50	
	EHD4X36A**	MV08B15**B*	TDR&TXV	29,200	0.73	13.00	15.50	
	EHD4X36A**	MV12F19**B*	TDR&TXV	29,200	0.73	13.00	15.50	
EHD4X36A**	†	TXV	29,200	0.73	11.70		14.00	
EMA4X36D**	†	TXV	29,000	0.73	11.70		14.00	
FEM4X30****	†	TDR&TXV	29,200	0.73	12.50	15.00		
FEM4X36****	†	TDR&TXV	29,800	0.73	12.50	15.00		
FS(M,U)4X30****	†	TDR&TXV	28,800	0.73	11.70	14.00		
FSA4X30**A*	†	TDR&TXV	28,600	0.73	11.70	13.50		
FSA4X36**A*	†	TDR&TXV	29,200	0.73	11.70	14.00		
FSM4X36****	†	TDR&TXV	29,600	0.73	12.00	14.00		
FVM4X24****	†	TDR&TXV	29,000	0.73	12.50	15.50		
FVM4X36****	†	TDR&TXV	29,200	0.73	13.00	16.00		
FVM4X48****	†	TDR&TXV	30,000	0.73	13.20	16.00		

2009 ENERGY STAR compliance for combinations with both: SEER 14.50 or higher and EER 12.00 or higher.

† For coils not listed with a matching furnace or blower, coil rating applies with any indoor blower device

- continued on next page -

**COOLING PERFORMANCE FOR COMBINATION RATINGS (continued)**

**Indoor Models**

For complete ratings information, use the AHRI website directory search: [www.AHRIdirectory.org](http://www.AHRIdirectory.org).  
New ratings may be listed online before Specification Sheets are updated.

Outdoor Model	Current Indoor Model (‡ tested combo)	Furnace Model	Factory Installed	Cooling 95° F (35° C)			SEER	
				BTU/hr	S/T	EER	factory	w/ field TDR
H4A436GKD	‡ED*4X42J**		TXV	35,800	0.77	12.00		14.00
	ED*4X36B**	MV08B15**B*	TDR&TXV	34,400	0.77	12.50	15.00	
	ED*4X36B**	†	TXV	34,000	0.77	12.00		14.00
	ED*4X36F**	*8MPV075	TDR&TXV	35,600	0.77	12.20	14.50	
	ED*4X36F**	*9MVX040	TDR&TXV	34,200	0.77	12.20	14.50	
	ED*4X36F**	*9MVX060	TDR&TXV	35,200	0.77	12.20	14.50	
	ED*4X36F**	MV12F19**B*	TDR&TXV	35,400	0.77	13.00	15.50	
	ED*4X36F**	†	TXV	35,400	0.77	12.00		14.00
	ED*4X36J**	*8MPV100	TDR&TXV	35,800	0.77	12.50	15.00	
	ED*4X36J**	*8MPV125	TDR&TXV	35,800	0.77	12.50	15.00	
	ED*4X36J**	*9MPV100	TDR&TXV	35,600	0.77	12.20	14.50	
	ED*4X36J**	*9MVX080	TDR&TXV	35,200	0.77	12.50	15.00	
	ED*4X36J**	MV16J22**B*	TDR&TXV	35,600	0.77	13.00	15.50	
	ED*4X36J**	†	TXV	35,400	0.77	12.00		14.00
	ED*4X42F**	*8MPV075	TDR&TXV	35,600	0.77	12.50	14.50	
	ED*4X42F**	*9MVX040	TDR&TXV	34,600	0.77	12.20	14.50	
	ED*4X42F**	*9MVX060	TDR&TXV	35,600	0.77	12.20	14.50	
	ED*4X42F**	MV12F19**B*	TDR&TXV	35,600	0.77	13.00	15.50	
	ED*4X42J**	*8MPV100	TDR&TXV	36,000	0.77	12.50	15.00	
	ED*4X42J**	*8MPV125	TDR&TXV	36,000	0.77	12.50	15.00	
	ED*4X42J**	*9MPV100	TDR&TXV	36,000	0.77	12.20	14.50	
	ED*4X42J**	*9MVX080	TDR&TXV	35,400	0.77	12.50	15.00	
	ED*4X42J**	MV16J22**B*	TDR&TXV	35,600	0.77	13.00	15.50	
	ED*4X42L**	*9MPV125	TDR&TXV	35,400	0.77	12.50	15.00	
	ED*4X42L**	*9MVX100	TDR&TXV	36,000	0.77	12.50	15.00	
	ED*4X42L**	MV20L24**B*	TDR&TXV	35,600	0.77	13.00	15.50	
	ED*4X42L**	†	TXV	35,800	0.77	12.00		14.00
	EHD4X36A**	*8MPV075	TDR&TXV	35,600	0.77	12.50	15.00	
	EHD4X36A**	*8MPV100	TDR&TXV	35,600	0.77	12.50	15.00	
	EHD4X36A**	*8MPV125	TDR&TXV	35,600	0.77	12.50	15.00	
	EHD4X36A**	*9MPV075	TDR&TXV	35,600	0.77	12.20	14.50	
	EHD4X36A**	*9MPV100	TDR&TXV	35,600	0.77	12.50	15.00	
	EHD4X36A**	*9MPV125	TDR&TXV	35,600	0.77	12.50	15.00	
	EHD4X36A**	*9MVX040	TDR&TXV	34,200	0.77	12.20	14.50	
	EHD4X36A**	*9MVX060	TDR&TXV	35,200	0.77	12.20	14.50	
	EHD4X36A**	*9MVX080	TDR&TXV	35,200	0.77	12.50	15.00	
	EHD4X36A**	*9MVX100	TDR&TXV	36,000	0.77	12.50	15.00	
	EHD4X36A**	MV08B15**B*	TDR&TXV	35,600	0.77	13.00	15.50	
	EHD4X36A**	MV12F19**B*	TDR&TXV	35,400	0.77	13.00	15.50	
	EHD4X36A**	MV16J22**B*	TDR&TXV	35,600	0.77	13.00	15.50	
	EHD4X36A**	MV20L24**B*	TDR&TXV	35,600	0.77	13.00	15.50	
	EHD4X36A**	†	TXV	35,400	0.77	12.00		14.00
EHD4X42A**	*8MPV050	TDR&TXV	36,000	0.77	12.20	14.50		
EHD4X42A**	*8MPV075	TDR&TXV	36,000	0.77	12.50	15.00		
EHD4X42A**	*8MPV100	TDR&TXV	36,000	0.77	12.50	15.00		
EHD4X42A**	*8MPV125	TDR&TXV	36,000	0.77	12.50	15.00		
EHD4X42A**	*9MPV050	TDR&TXV	36,000	0.77	12.20	14.50		
EHD4X42A**	*9MPV075	TDR&TXV	36,000	0.77	12.20	14.50		

2009 ENERGY STAR compliance for combinations with both: SEER 14.50 or higher and EER 12.00 or higher.

† For coils not listed with a matching furnace or blower, coil rating applies with any indoor blower device

- continued on next page -

**COOLING PERFORMANCE FOR COMBINATION RATINGS (continued)**  
**Indoor Models**

For complete ratings information, use the AHRI website directory search: [www.AHRIdirectory.org](http://www.AHRIdirectory.org).  
 New ratings may be listed online before Specification Sheets are updated.

Outdoor Model	Current Indoor Model († tested combo)	Furnace Model	Factory Installed	Cooling 95° F (35° C)			SEER	
				BTU/hr	S/T	EER	factory	w/ field TDR
H4A436GKD (continued)	EHD4X42A**	*9MPV100	TDR&TXV	36,000	0.77	12.50	15.00	
	EHD4X42A**	*9MPV125	TDR&TXV	36,200	0.77	12.50	15.00	
	EHD4X42A**	*9MVX040	TDR&TXV	34,600	0.77	12.20	14.50	
	EHD4X42A**	*9MVX060	TDR&TXV	35,600	0.77	12.20	14.50	
	EHD4X42A**	*9MVX080	TDR&TXV	35,400	0.77	12.50	15.00	
	EHD4X42A**	*9MVX100	TDR&TXV	36,000	0.77	12.50	15.00	
	EHD4X42A**	MV08B15**B*	TDR&TXV	35,600	0.77	13.00	15.50	
	EHD4X42A**	MV12F19**B*	TDR&TXV	35,600	0.77	13.00	15.50	
	EHD4X42A**	MV16J22**B*	TDR&TXV	35,600	0.77	13.00	15.50	
	EHD4X42A**	MV20L24**B*	TDR&TXV	35,600	0.77	13.00	15.50	
	EHD4X42A**	†	TXV	35,800	0.77	12.00		14.00
	EMA4X36D**	†	TXV	35,400	0.77	11.50		14.00
	FEM4X36****	†	TDR&TXV	36,600	0.77	12.50	15.00	
	FEM4X42****	†	TDR&TXV	36,600	0.77	13.00	15.00	
	FS(M,U)4X42****	†	TDR&TXV	35,400	0.77	12.00	14.00	
	FSM2X36****	†	TDR&TXV	35,200	0.77	12.00		
	FSM4X36****	†	TDR&TXV	35,400	0.77	12.20	14.00	
	FSU4X36****	†	TDR&TXV	34,800	0.77	11.90	14.00	
	FVM4X36****	†	TDR&TXV	35,400	0.77	12.50	15.00	
	FVM4X48****	†	TDR&TXV	36,600	0.77	13.00	16.00	
H4A442GKD	†ED*4X48J**	†	TXV	40,500	0.77	12.00		14.00
	ED*4X42F**	*8MPV075	TDR&TXV	39,500	0.77	12.00	14.00	
	ED*4X42F**	*9MPV075	TDR&TXV	39,000	0.77	11.70	13.50	
	ED*4X42F**	*9MVX060	TDR&TXV	39,500	0.77	12.00	14.00	
	ED*4X42F**	†	TXV	40,000	0.77	11.70		13.50
	ED*4X42J**	*8MPV100	TDR&TXV	40,000	0.77	12.20	14.50	
	ED*4X42J**	*8MPV125	TDR&TXV	40,000	0.77	12.20	14.50	
	ED*4X42J**	*9MPV100	TDR&TXV	40,000	0.77	12.20	14.50	
	ED*4X42J**	*9MVX080	TDR&TXV	40,000	0.77	12.20	14.50	
	ED*4X42J**	MV16J22**B*	TDR&TXV	40,000	0.77	12.50	15.00	
	ED*4X42J**	†	TXV	40,000	0.77	11.70		13.50
	ED*4X42L**	*9MPV125	TDR&TXV	40,000	0.77	12.20	14.50	
	ED*4X42L**	*9MVX100	TDR&TXV	39,500	0.77	12.20	14.50	
	ED*4X42L**	†	TXV	40,000	0.77	11.70		13.50
	ED*4X48F**	*8MPV075	TDR&TXV	40,000	0.77	12.20	14.50	
	ED*4X48F**	*9MPV075	TDR&TXV	40,000	0.77	12.00	14.00	
	ED*4X48F**	*9MVX060	TDR&TXV	40,500	0.77	12.00	14.00	
	ED*4X48F**	†	TXV	40,500	0.77	12.00		14.00
	ED*4X48J**	*8MPV100	TDR&TXV	40,500	0.77	12.50	15.00	
	ED*4X48J**	*8MPV125	TDR&TXV	40,500	0.77	12.50	15.00	
	ED*4X48J**	*9MPV100	TDR&TXV	40,500	0.77	12.20	14.50	
	ED*4X48J**	*9MVX080	TDR&TXV	40,500	0.77	12.20	14.50	
	ED*4X48J**	MV16J22**B*	TDR&TXV	40,500	0.77	13.00	15.50	
	ED*4X48L**	*9MPV125	TDR&TXV	40,500	0.77	12.50	15.00	
	ED*4X48L**	*9MVX100	TDR&TXV	40,500	0.77	12.20	14.50	

2009 ENERGY STAR compliance for combinations with both: SEER 14.50 or higher and EER 12.00 or higher.

† For coils not listed with a matching furnace or blower, coil rating applies with any indoor blower device

- continued on next page -

**COOLING PERFORMANCE FOR COMBINATION RATINGS (continued)**

**Indoor Models**

For complete ratings information, use the AHRI website directory search: [www.AHRIdirectory.org](http://www.AHRIdirectory.org).  
New ratings may be listed online before Specification Sheets are updated.

Outdoor Model	Current Indoor Model († tested combo)	Furnace Model	Factory Installed	Cooling 95° F (35° C)			SEER	
				BTU/hr	S/T	EER	factory	w/ field TDR
H4A442GKD (continued)	ED*4X48L**	†	TXV	40,500	0.77	12.00		14.00
	EHD4X42A**	*8MPV075	TDR&TXV	40,500	0.77	12.20	14.50	
	EHD4X42A**	*8MPV100	TDR&TXV	41,000	0.77	12.50	15.00	
	EHD4X42A**	*8MPV125	TDR&TXV	41,000	0.77	12.50	15.00	
	EHD4X42A**	*9MPV100	TDR&TXV	40,500	0.77	12.20	14.50	
	EHD4X42A**	*9MPV125	TDR&TXV	40,500	0.77	12.50	15.00	
	EHD4X42A**	*9MVX060	TDR&TXV	39,500	0.77	12.00	14.00	
	EHD4X42A**	*9MVX080	TDR&TXV	40,000	0.77	12.20	14.50	
	EHD4X42A**	*9MVX100	TDR&TXV	39,500	0.77	12.20	14.50	
	EHD4X42A**	MV16J22**B*	TDR&TXV	40,000	0.77	12.50	15.00	
	EHD4X42A**	MV20L24**B*	TDR&TXV	40,000	0.77	12.50	15.00	
	EHD4X42A**	†	TXV	40,500	0.77	12.00		14.00
	EHD4X48A**	*8MPV075	TDR&TXV	40,500	0.77	12.20	14.50	
	EHD4X48A**	*8MPV100	TDR&TXV	41,000	0.77	12.50	15.00	
	EHD4X48A**	*8MPV125	TDR&TXV	41,000	0.77	12.50	15.00	
	EHD4X48A**	*9MPV100	TDR&TXV	41,000	0.77	12.20	14.50	
	EHD4X48A**	*9MPV125	TDR&TXV	41,000	0.77	12.50	15.00	
	EHD4X48A**	*9MVX060	TDR&TXV	40,500	0.77	12.00	14.00	
	EHD4X48A**	*9MVX080	TDR&TXV	40,500	0.77	12.20	14.50	
	EHD4X48A**	*9MVX100	TDR&TXV	40,500	0.77	12.20	14.50	
	EHD4X48A**	MV16J22**B*	TDR&TXV	40,500	0.77	13.00	15.50	
	EHD4X48A**	MV20L24**B*	TDR&TXV	40,500	0.77	13.00	15.50	
	EHD4X48A**	†	TXV	41,000	0.77	12.00		14.00
	EMA4X48D**	†	TXV	40,000	0.77	11.70		14.00
	FEM4X42****	†	TDR&TXV	40,500	0.77	12.20	14.50	
	FEM4X48****	†	TDR&TXV	41,500	0.77	12.50	15.00	
	FS(M,U)4X42****	†	TDR&TXV	40,000	0.77	11.70	13.50	
	FS(M,U)4X48****	†	TDR&TXV	41,000	0.77	12.00	14.00	
	FVM4X36****	†	TDR&TXV	39,500	0.77	12.50	15.00	
	FVM4X48****	†	TDR&TXV	41,000	0.77	13.00	15.50	
FVM4X60****	†	TDR&TXV	41,500	0.77	13.00	16.00		
H4A448GKD	‡ED*4X60L**	†	TXV	48,500	0.74	11.70		14.00
	ED*4X48F**	†	TXV	47,000	0.74	11.70		13.50
	ED*4X48J**	*8MPV100	TDR&TXV	47,000	0.74	12.00	14.50	
	ED*4X48J**	*8MPV125	TDR&TXV	47,500	0.74	12.20	14.50	
	ED*4X48J**	*9MVX080	TDR&TXV	47,000	0.74	11.70	14.00	
	ED*4X48J**	MV16J22**B*	TDR&TXV	47,000	0.74	12.50	15.00	
	ED*4X48J**	†	TXV	47,500	0.74	11.50		13.50
	ED*4X48L**	*9MPV125	TDR&TXV	47,000	0.74	12.00	14.00	
	ED*4X48L**	*9MVX100	TDR&TXV	47,000	0.74	12.00	14.00	
	ED*4X48L**	†	TXV	47,500	0.74	11.50		13.50
	ED*4X60J**	*8MPV100	TDR&TXV	48,500	0.74	12.20	14.50	
	ED*4X60J**	*8MPV125	TDR&TXV	48,500	0.74	12.50	15.00	
	ED*4X60J**	*9MPV100	TDR&TXV	48,500	0.74	12.20	14.50	
	ED*4X60J**	*9MVX080	TDR&TXV	48,000	0.74	12.20	14.50	
	ED*4X60J**	MV16J22**B*	TDR&TXV	48,000	0.74	12.50	15.50	
	ED*4X60J**	†	TXV	48,500	0.74	11.70		14.00

2009 ENERGY STAR compliance for combinations with both: SEER 14.50 or higher and EER 12.00 or higher.

† For coils not listed with a matching furnace or blower, coil rating applies with any indoor blower device

- continued on next page -

**COOLING PERFORMANCE FOR COMBINATION RATINGS (continued)**  
**Indoor Models**

For complete ratings information, use the AHRI website directory search: [www.AHRIdirectory.org](http://www.AHRIdirectory.org).  
 New ratings may be listed online before Specification Sheets are updated.

Outdoor Model	Current Indoor Model († tested combo)	Furnace Model	Factory Installed	Cooling 95° F (35° C)			SEER	
				BTU/hr	S/T	EER	factory	w/ field TDR
H4A448GKD (continued)	ED*4X60L**	*9MPV125	TDR&TXV	48,000	0.74	12.20	14.50	
	ED*4X60L**	*9MVX100	TDR&TXV	48,000	0.74	12.20	14.50	
	EHD4X48A**	*8MPV100	TDR&TXV	47,000	0.74	12.00	14.50	
	EHD4X48A**	*8MPV125	TDR&TXV	47,000	0.74	12.20	14.50	
	EHD4X48A**	*9MVX080	TDR&TXV	47,000	0.74	11.70	14.00	
	EHD4X48A**	*9MVX100	TDR&TXV	47,000	0.74	12.00	14.00	
	EHD4X48A**	MV16J22**B*	TDR&TXV	47,000	0.74	12.50	15.00	
	EHD4X48A**	MV20L24**B*	TDR&TXV	47,000	0.74	12.50	15.00	
	EHD4X48A**	†	TXV	47,500	0.74	11.70		13.50
	EHD4X60A**	*8MPV100	TDR&TXV	48,000	0.74	12.20	14.50	
	EHD4X60A**	*8MPV125	TDR&TXV	48,000	0.74	12.50	15.00	
	EHD4X60A**	*9MPV100	TDR&TXV	48,000	0.74	12.20	14.50	
	EHD4X60A**	*9MPV125	TDR&TXV	48,000	0.74	12.20	14.50	
	EHD4X60A**	*9MVX080	TDR&TXV	48,000	0.74	12.20	14.50	
	EHD4X60A**	*9MVX100	TDR&TXV	48,000	0.74	12.20	14.50	
	EHD4X60A**	MV16J22**B*	TDR&TXV	48,000	0.74	12.50	15.50	
	EHD4X60A**	MV20L24**B*	TDR&TXV	48,000	0.74	12.50	15.50	
	EHD4X60A**	†	TXV	48,500	0.74	11.70		14.00
	EMA4X48D**	†	TXV	46,000	0.74	11.50		13.50
	FEM4X48****	†	TDR&TXV	48,500	0.74	12.20	14.50	
	FEM4X60****	†	TDR&TXV	49,000	0.74	12.50	15.00	
	FS(M,U)4X48****	†	TDR&TXV	48,000	0.74	11.50	13.50	
	FS(M,U)4X60****	†	TDR&TXV	48,500	0.74	11.70	14.00	
	FVM4X48****	†	TDR&TXV	48,000	0.74	12.50	15.00	
	FVM4X60****	†	TDR&TXV	48,500	0.74	12.50	15.50	
	H4A449GKD	‡ED*4X60L**	†	TXV	46,000	0.75	12.50	
ED*4X48F**		*8MPV100	TDR&TXV	45,000	0.75	12.50	15.00	
ED*4X48F**		*8MPV125	TDR&TXV	45,000	0.75	12.50	15.00	
ED*4X48F**		*9MPV100	TDR&TXV	45,000	0.75	12.50	14.50	
ED*4X48F**		*9MVX080	TDR&TXV	45,000	0.75	12.50	14.50	
ED*4X48F**		MV16J22**B*	TDR&TXV	45,000	0.75	13.00	16.00	
ED*4X48F**		†	TXV	45,000	0.75	12.50		14.50
ED*4X48J**		*8MPV100	TDR&TXV	45,000	0.75	12.50	15.00	
ED*4X48J**		*8MPV125	TDR&TXV	45,000	0.75	12.50	15.00	
ED*4X48J**		*9MPV100	TDR&TXV	44,500	0.75	12.50	14.50	
ED*4X48J**		*9MPV125	TDR&TXV	44,500	0.75	12.50	15.00	
ED*4X48J**		*9MVX080	TDR&TXV	44,500	0.75	12.50	14.50	
ED*4X48J**		*9MVX100	TDR&TXV	44,500	0.75	12.50	15.00	
ED*4X48J**		MV16J22**B*	TDR&TXV	45,000	0.75	13.00	16.00	
ED*4X48J**		†	TXV	45,000	0.75	12.00		14.20
ED*4X48L**		*8MPV100	TDR&TXV	45,000	0.75	12.50	15.00	
ED*4X48L**		*8MPV125	TDR&TXV	45,000	0.75	12.50	15.00	
ED*4X48L**		*9MPV100	TDR&TXV	44,500	0.75	12.50	14.50	
ED*4X48L**		*9MPV125	TDR&TXV	44,500	0.75	12.50	15.00	
ED*4X48L**		*9MVX080	TDR&TXV	45,000	0.75	12.50	14.50	
ED*4X48L**		*9MVX100	TDR&TXV	44,500	0.75	12.50	15.00	
ED*4X48L**		MV16J22**B*	TDR&TXV	45,000	0.75	13.00	16.00	

2009 ENERGY STAR compliance for combinations with both: SEER 14.50 or higher and EER 12.00 or higher.

† For coils not listed with a matching furnace or blower, coil rating applies with any indoor blower device

- continued on next page -

**COOLING PERFORMANCE FOR COMBINATION RATINGS (continued)**

**Indoor Models**

For complete ratings information, use the AHRI website directory search: [www.AHRI.directory.org](http://www.AHRI.directory.org).  
New ratings may be listed online before Specification Sheets are updated.

Outdoor Model	Current Indoor Model († tested combo)	Furnace Model	Factory Installed	Cooling 95° F (35° C)			SEER	
				BTU/hr	S/T	EER	factory	w/ field TDR
H4A449GKD (continued)	ED*4X48L**	†	TXV	45,000	0.75	12.00		14.20
	ED*4X60J**	*8MPV100	TDR&TXV	46,000	0.75	13.00	16.00	
	ED*4X60J**	*8MPV125	TDR&TXV	46,000	0.75	13.00	16.00	
	ED*4X60J**	*9MPV100	TDR&TXV	45,500	0.75	12.50	15.00	
	ED*4X60J**	*9MPV125	TDR&TXV	45,500	0.75	12.50	15.50	
	ED*4X60J**	*9MVX080	TDR&TXV	45,500	0.75	12.50	15.00	
	ED*4X60J**	*9MVX100	TDR&TXV	45,500	0.75	12.50	15.50	
	ED*4X60J**	MV16J22**B*	TDR&TXV	46,000	0.75	13.00	16.00	
	ED*4X60J**	†	TXV	46,000	0.75	12.50		14.50
	ED*4X60L**	*8MPV100	TDR&TXV	46,000	0.75	12.50	15.50	
	ED*4X60L**	*8MPV125	TDR&TXV	46,000	0.75	13.00	16.00	
	ED*4X60L**	*9MPV100	TDR&TXV	45,500	0.75	12.50	15.00	
	ED*4X60L**	*9MPV125	TDR&TXV	45,500	0.75	12.50	15.50	
	ED*4X60L**	*9MVX080	TDR&TXV	45,500	0.75	12.50	15.00	
	ED*4X60L**	*9MVX100	TDR&TXV	45,500	0.75	12.50	15.50	
	ED*4X60L**	MV16J22**B*	TDR&TXV	46,000	0.75	13.00	16.00	
	EHD4X48A**	*8MPV100	TDR&TXV	45,500	0.75	12.50	15.00	
	EHD4X48A**	*8MPV125	TDR&TXV	45,000	0.75	12.50	15.00	
	EHD4X48A**	*9MPV100	TDR&TXV	45,000	0.75	12.50	15.00	
	EHD4X48A**	*9MPV125	TDR&TXV	45,000	0.75	12.50	15.00	
	EHD4X48A**	*9MVX080	TDR&TXV	45,000	0.75	12.50	15.00	
	EHD4X48A**	*9MVX100	TDR&TXV	45,000	0.75	12.50	15.00	
	EHD4X48A**	MV16J22**B*	TDR&TXV	45,000	0.75	13.00	16.00	
	EHD4X48A**	†	TXV	45,500	0.75	12.50		14.50
	EHD4X60A**	*8MPV100	TDR&TXV	46,000	0.75	13.00	16.00	
	EHD4X60A**	*8MPV125	TDR&TXV	46,000	0.75	13.00	16.00	
	EHD4X60A**	*9MPV100	TDR&TXV	46,000	0.75	12.50	15.50	
	EHD4X60A**	*9MPV125	TDR&TXV	46,000	0.75	13.00	16.00	
	EHD4X60A**	*9MVX080	TDR&TXV	46,000	0.75	12.50	15.50	
	EHD4X60A**	*9MVX100	TDR&TXV	46,000	0.75	12.50	15.50	
	EHD4X60A**	MV16J22**B*	TDR&TXV	46,000	0.75	13.00	16.00	
	EHD4X60A**	†	TXV	46,000	0.75	12.50		14.50
EMA4X48D**	†	TXV	44,000	0.75	12.50		14.20	
FEM4X48****	†	TDR&TXV	46,000	0.75	12.50	15.50		
FEM4X60****	†	TDR&TXV	46,000	0.75	13.00	16.00		
FS(M,U)4X48****	†	TDR&TXV	45,000	0.75	12.00	14.50		
FS(M,U)4X60****	†	TDR&TXV	46,000	0.75	12.00	14.50		
FVM4X48****	†	TDR&TXV	46,000	0.75	13.00	16.00		
FVM4X60****	†	TDR&TXV	46,000	0.75	13.00	16.00		
H4A460GKD	†ED*4X60L**	†	TXV	59,000	0.75	12.00		14.00
	ED*4X60J**	*9MVX080	TDR&TXV	56,500	0.75	12.00	14.50	
	ED*4X60J**	MV16J22**B*	TDR&TXV	58,500	0.75	12.20	14.50	
	ED*4X60J**	†	TXV	58,000	0.75	12.00		14.00
	EHD4X60A**	*9MVX080	TDR&TXV	56,500	0.75	12.00	14.50	
	EHD4X60A**	MV16J22**B*	TDR&TXV	58,500	0.75	12.20	14.50	
	EHD4X60A**	MV20L24**B*	TDR&TXV	58,500	0.75	12.20	14.50	
	EHD4X60A**	†	TXV	59,000	0.75	12.00		14.00
	FEM4X60****	†	TDR&TXV	60,000	0.75	12.20	14.50	
	FS(M,U)4X60****	†	TDR&TXV	59,000	0.75	11.50	13.50	
FVM4X60****	†	TDR&TXV	59,000	0.75	12.20	14.50		

2009 ENERGY STAR compliance for combinations with both: SEER 14.50 or higher and EER 12.00 or higher.

† For coils not listed with a matching furnace or blower, coil rating applies with any indoor blower device

<b>OUTDOOR UNIT MODEL NUMBER IDENTIFICATION GUIDE (single phase)</b>											
Digit Position:	1	2	3	4	5, 6	7	8	9	10	11	12
Example Part Number:	<b>H</b>	<b>4</b>	<b>A</b>	<b>4</b>	<b>18</b>	<b>G</b>	<b>K</b>	<b>D</b>	<b>1</b>	<b>0</b>	<b>0</b>
H = Arcoaire Mainline N = Arcoaire Entry <b>BRANDING</b>											
2 = R-22 4 = R-410A <b>REFRIGERANT</b>											
A = Air Conditioner H = Heat Pump <b>TYPE</b>											
3 = 13 SEER 4 = 14 SEER 5 = 15 SEER 6 = 16 SEER 7 = 17 SEER 8 = 18 SEER <b>NOMINAL EFFICIENCY</b>											
18 = 18,000 BTUH = 1½ tons 24 = 24,000 BTUH = 2 tons 30 = 30,000 BTUH = 2½ tons 36 = 36,000 BTUH = 3 tons 42 = 42,000 BTUH = 3½ tons 48 = 48,000 BTUH = 4 tons 49 = 48,000 BTUH = 4 tons 60 = 60,000 BTUH = 5 tons <b>NOMINAL CAPACITY</b>											
A = Standard Grille G = Coil Guard Grille C = Coastal <b>FEATURES</b>											
K = 208/230-1-60 <b>VOLTAGE</b>											
Sales Code											
Engineering Revision											
Extra Digit											
Extra Digit											

<b>ACCESSORIES PART NUMBER IDENTIFICATION GUIDE</b>									
Digit Position:	1	2	3	4	5	6, 7	8, 9	10, 11	
Example Part Number:	<b>N</b>	<b>A</b>	<b>S</b>	<b>A</b>	<b>0</b>	<b>01</b>	<b>01</b>	<b>CH</b>	
N = Non-Branded <b>BRANDING</b>									
A = Accessory <b>PRODUCT GROUP</b>									
S = Split System (AC & HP) <b>KIT USAGE</b>									
A = Original B = 2nd Generation <b>MAJOR SERIES</b>									
0 = Generic or Not Applicable 2 = R-22 4 = R-410A <b>REFRIGERANT</b>									
Product Identifier Number									
Package Quantity									
Type of Kit (Example: CH = Crankcase Heater)									